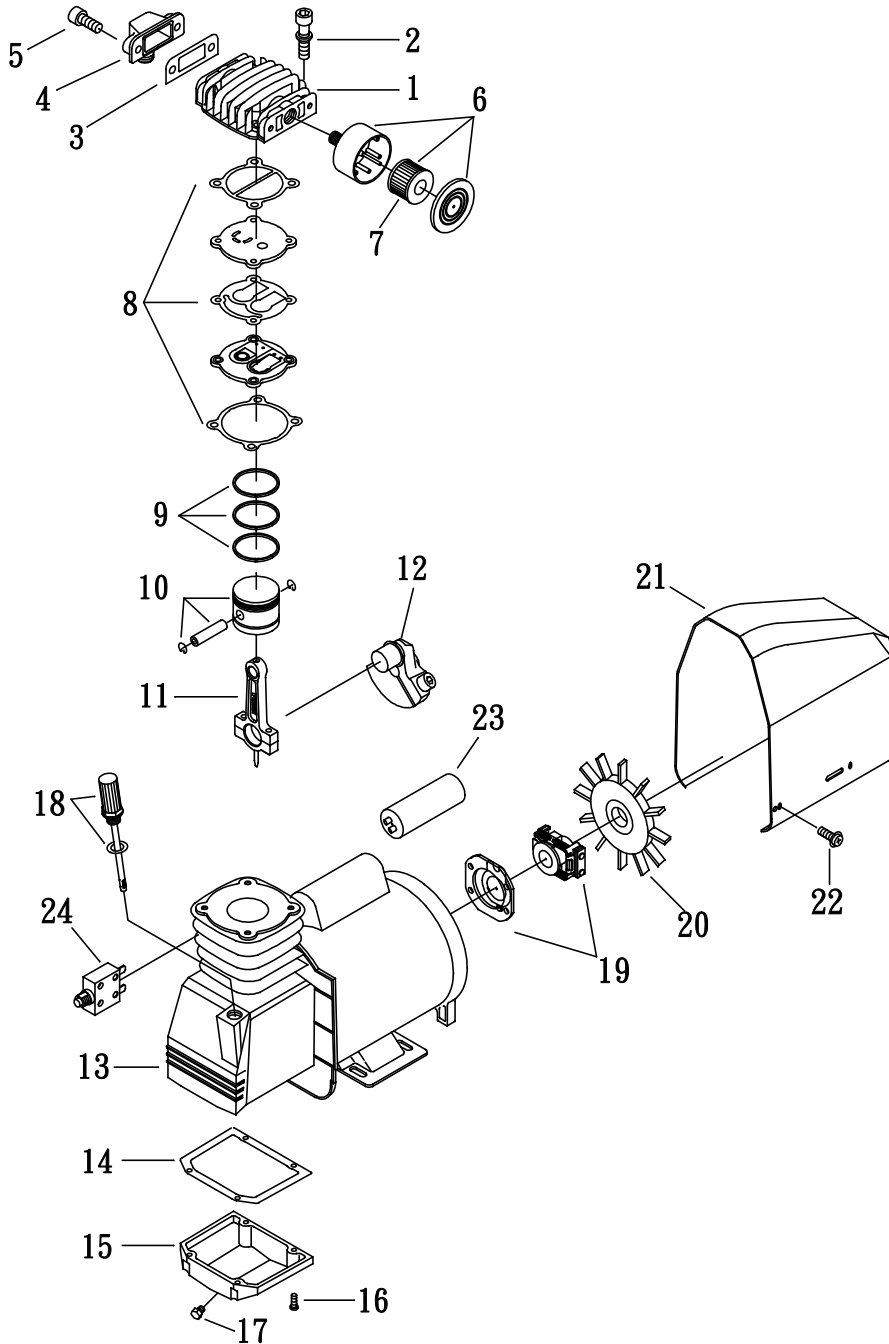


# MODEL :DD-2008 (Pump)

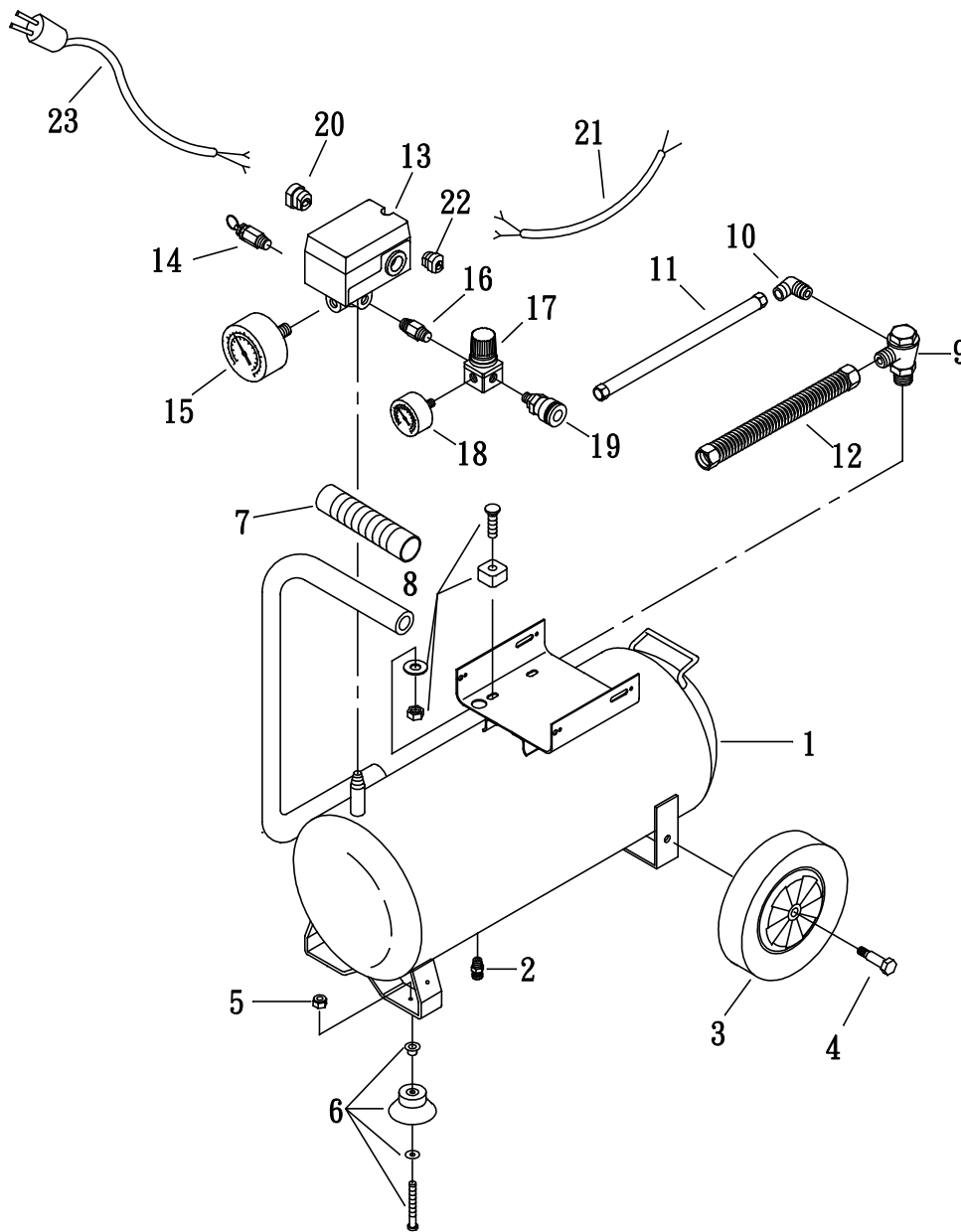


## SPARE PARTS LIST

NO : MP-1409

REF. NO.	DESCRIPTION	PART NO.	QTY.	REF. NO.	DESCRIPTION	PART NO.	QTY.
1	Cylinder head	3101042	1	13	Motor set	3B8-NA1002	1
2	Allen bolt set	3B01-M06*040V	4	14	Crankcase base gasket	2G08-001	1
3	Exhaust elbow gasket	2G09-001H	1	15	Crankcase base	3349001	1
4	Exhaust elbow	2N06-04H1	1	16	Bolt	2B02-FM5*015	4
5	Allen bolt	2B01-M08*020	2	17	Oil draining plug	2N33-001	1
6	Air filter	2140019A	1	18	Dipstick set	2339008A	1
7	Filter element	2142013	1	19	Centrifugal switch set	2E24-14064P	1
8	Inlet&Exhaust valve assembly	3B13-AC0747	1	20	Cooling fan	2E24-14064P	1
9	Piston ring set	3B32-47N	1	21	Shroud	2428003	1
10	Piston set	3B31-47	1	22	Bolt	2B02-FM5*010WB	6
11	Rod	2315033	1	23	Starting capacitor	2E28-300F1245	1
12	Crankshaft & balancer	3304076	1	24	Thermal protector	2E25-15A	1

# MODEL :DD-2008 (Receive Tank)



## SPARE PARTS LIST

NO : MP-1409

REF. NO.	DESCRIPTION	PART NO.	QTY.	REF. NO.	DESCRIPTION	PART NO.	QTY.
1	Air tank	3401281	1	13	Pressure switch	2E21-AA276CP	1
2	Drain valve	2405011	1	14	Pressure relief valve	2406018A	1
3	Tank wheel	2402018	2	15	Pressure gauge	2D12-20D14KS	1
4	Theel wheel bolt	2418001	2	16	Nipple	2N01-045	1
5	U-nut	2B21-PM05	2	17	Regulator	2408008LNX	1
6	Rubber pad set	2433005-A	2	18	Pressure gauge	2D12-15D15KS	1
7	Grip	2432004	1	19	Quick coupler	07MS01/4M-B	1
8	Motor feet bolt set	3B08-FM08*30-A	4	20	Strain relief bushing	2E04-012	1
9	Check valve	2414025T	1	21	Cable	2E02-2030502Y2T	1
10	Unloading elbow	2N06-01T02H	1	22	Strain relief bushing	2E04-009	1
11	Unloading tube	3B2-02*600F	1	23	Power cable	2E01-012W	1
12	Exhaust tube	3B2-04*440	1				